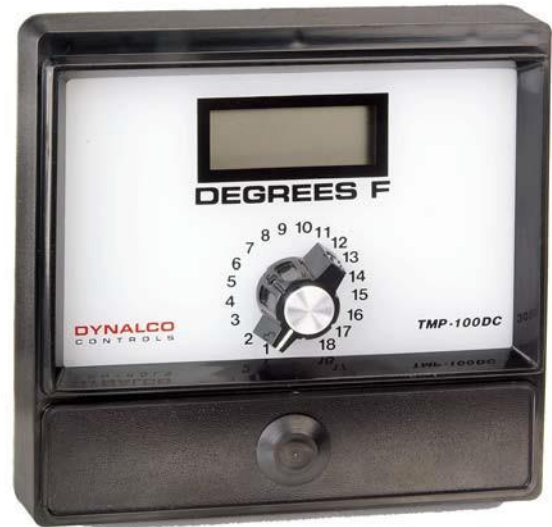


TMP-100DC

DC Powered Digital Pyrometer

The TMP-100DC™ monitors the temperature of any 18 points in any process or system such as engines, factories, and mills.



FEATURES

- Digital readout with 1° resolution.
- Heavily gold plated selector switch for long life, trouble-free operation.
- Fits existing cutouts and mounting holes of other popular pyrometers.
- No compensation for lead lengths or lead resistances required. Use inexpensive small gauge thermocouple extension wire to save cost and space.
- Fully gasketed; rugged construction.
- Readout unaffected by power line noise and spikes.
- Continuous readout.

SPECIFICATIONS

Display: 3-1/2 digit (-1999 to +1999), 0.5" high digits, liquid crystal display, 1° increments. Brightness increases with ambient light (no outdoors fadeout).

Environment: 0°F to +165°F (-18°C to +74°C); 0.25% maximum effect on readout.

Selector Switch: Two-pole, 18-position, double gold plating of contacts.

Sensor: Must be grounded if dc supply is grounded.

- *Thermocouples:* Integral cold junction compensation. Thermocouple extension wire resistance of up to 100Ω introduces less than 1° error. Open sensor indicated by a number 1 in the thousands column, all other digits blanked.
- *RTDs:* Accepts 2-wire RTDs only. Use with heavy copper extension leads to minimize error, i.e., 16 AWG for up to 50 feet, 14 AWG to 100 feet.

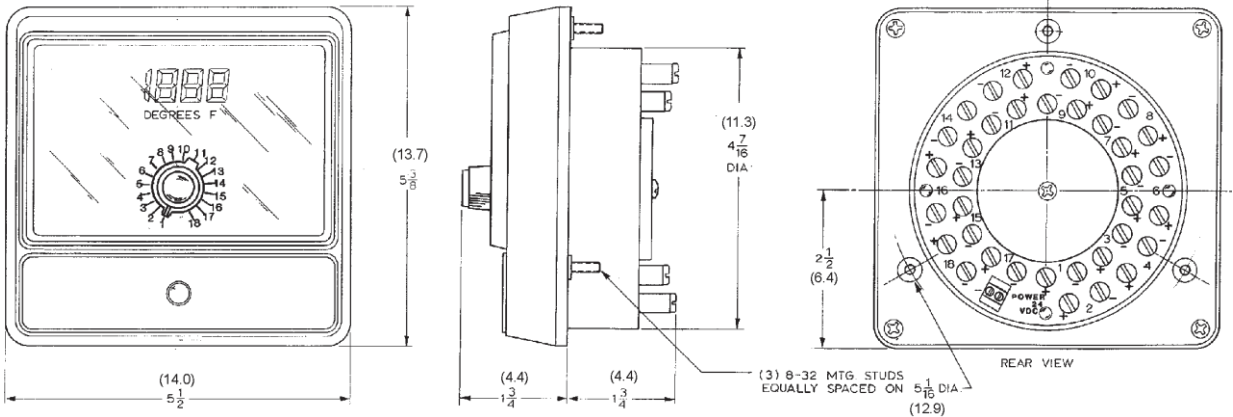
Power: 24 Volt dc systems; 6 mA dc typical, 10 mA maximum.

Weight: 1.75 lbs.

NOTE
For the TMP-100DC, thermocouples used must be ungrounded if the dc supply is grounded.

PART NUMBERS AND RANGES		
P/N	RANGE	SENSOR TYPE
TMP-100DC-11	-50° to +1500°F	J (Iron-Constantan)
TMP-100DC-12	-45° to +815°C	J (Iron-Constantan)
TMP-100DC-13	-50° to +1800°F	K (Iron-Alumel)
TMP-100DC-14	-45° to +980°C	K (Iron-Alumel)
TMP-100DC-15	0° to +500°F	T (Copper-Constantan)
TMP-100DC-16	-20° to +260°C	T (Copper-Constantan)
TMP-100DC-17	0° to +500°F	E (Chromel-Constantan)
TMP-100DC-18	-20° to +260°C	E (Chromel-Constantan)
TMP-100DC-19	-300° to +800°F	100 Ohm Pt RTD
TMP-100DC-20	-185° to +425°C	100 Ohm Pt RTD

OUTLINE AND CONNECTION DRAWING



Dimensions in inches (cm)