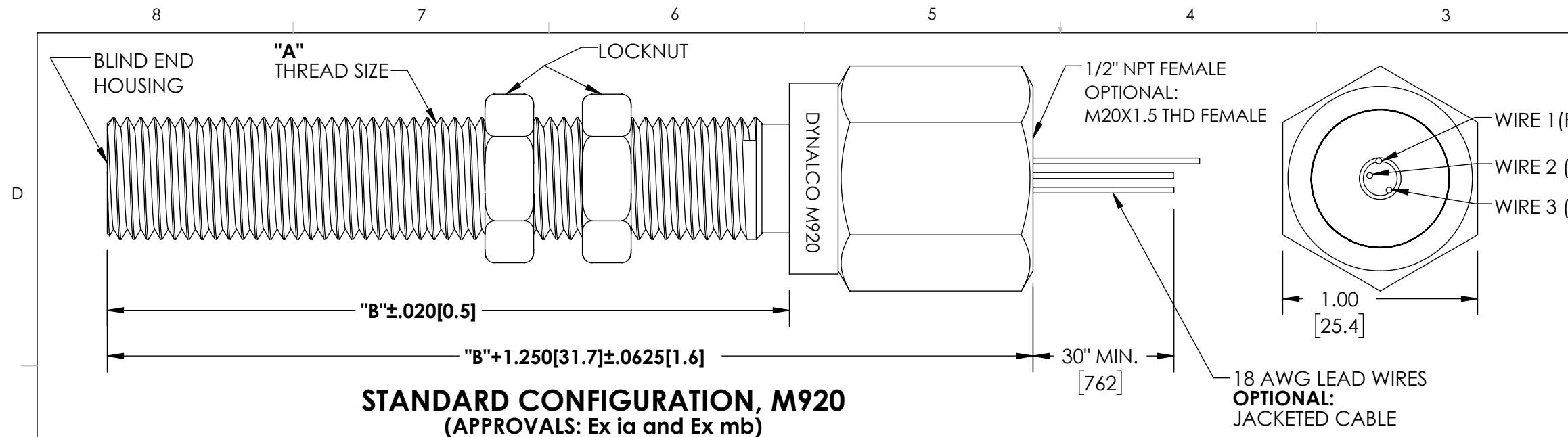


REV	ECN	REVISION RECORD	DATE	DR	CK
A	11598	RELEASING PER AGENCY APPROVAL	01/23/2020	PV	TT



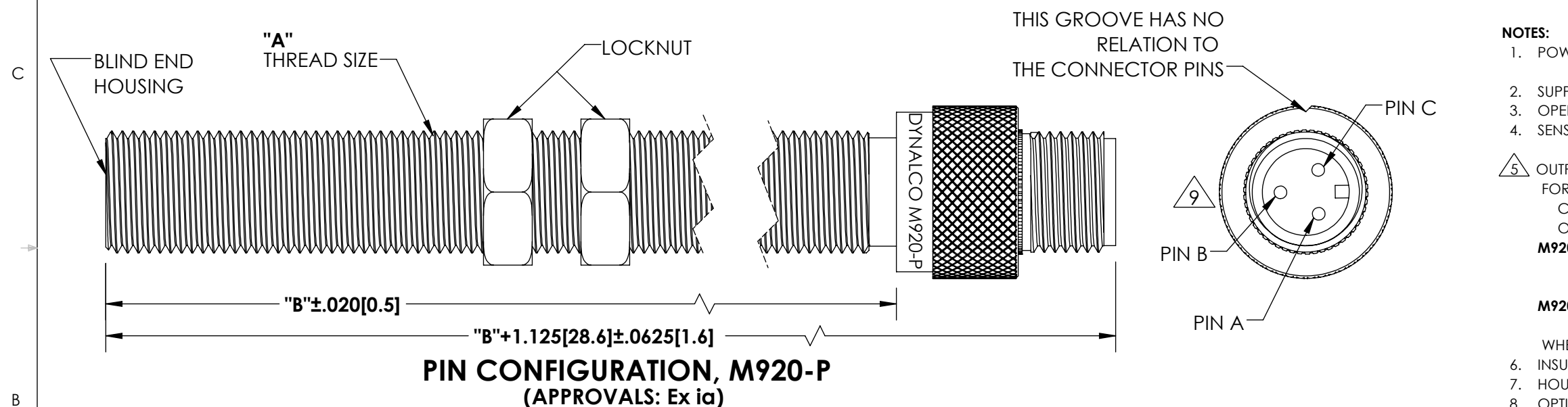
AGENCY APPROVAL:
ATEX/IECEX CERTIFIED

CE 0081

IEC IECEx Ex II 1 G
Ex ia IIC T4 Ga
-40°C ≤ Tamb ≤ +80°C

II 2 G
Ex mb IIC T4 Gb
-40°C ≤ Tamb ≤ +90°C

CML 19ATEX2489X
IECEX CML 19.0181X



- NOTES:**
- POWER SUPPLY (Vin): Ex ia: 4.5 TO 14 VDC
Ex mb: 4.5 TO 18 VDC
 - SUPPLY CURRENT: Ex ia: 85 mA MAXIMUM
 - OPERATING TEMPERATURE: -40° F TO +257° F (-40°C to 125°C)
 - SENSED FREQUENCY: 0 TO 20 KHZ
 - OUTPUT VOLTAGE: SQUARE WAVE 50±15% DUTY CYCLE.
FOR Ex mb CERTIFICATION, THE Vout PIN SHALL ONLY BE CONNECTED TO EQUIPMENT WITH A MAXIMUM OPEN CIRCUIT VOLTAGE OF 18V AND A MAXIMUM SHORT CIRCUIT CURRENT OF 10mA.
M920-1: FANOUT TO 10 TTL INPUTS, RLOAD ≥ 10KΩ
- LOGIC 0: +0.4 VDC MAX AT 15mA MAX.
- LOGIC 1: >2.8V TO 5.0 VDC WITH 2KΩ PULL UP RESISTOR.
M920-2: LOGIC 0: +0.4 VDC MAX AT 15mA MAX.
LOGIC 1: Vo=(Vin-0.7)xRl / (Rl+2.0k)
WHERE Vin=SOURCE VOLTAGE; Rl=LOAD RESISTANCE
 - INSULATION RESISTANCE: 100 MΩ MIN. AT 500 VDC (COMMON TO HOUSING)
 - HOUSING: 303 STAINLESS STEEL, BLIND END.
 - OPTIMUM OPERATING AIR GAP: 0.02"[0.50] TO 0.10"[2.54]
 - CABLE-CONNECTOR SOLD SEPARATELY FOR PIN CONFIGURATION.
C910-XX (XX: 10 TO 100 FT; 10 FT INCREMENT)
 - DIMENSIONS ARE IN INCHES [MM]
 - AMBIENT TEMPERATURE RANGES:
-40°F to +176°F (-40°C to +80°C) FOR INTRINSICALLY SAFE (Ex ia) INSTALLATIONS.
-40°F to +194°F (-40°C to +90°C) FOR ENCAPSULATION (Ex mb) INSTALLATIONS.
 - MARKING: WIRE OUTPUT OPTION: MARKING IS LASR ETCHED ON BODY.
PIN OUTPUT OPTION: LABEL WILL BE PROVIDED WHICH MUST BE ATTACHED NEAR PICKUP INSTALLATION.

ELECTRICAL CONNECTIONS		
WIRE 1 (RED)	PIN A	POWER SUPPLY
WIRE 2 (BLACK)	PIN C	COMMON
WIRE 3 (WHITE)	PIN B	OUTPUT

PRODUCT CONFIGURATOR				
M920	-1	-A	-L3.5	-P
BASE NUMBER	OUTPUT TYPE	DIM "A" THREAD SIZE	DIM "B" THREAD LENGTH	ELECTRICAL CONNECTION
M920 Hall-Effect (≥0 RPM) Senses Ferrous Material Encapsulated (Ex mb); Zone 1,2 Intrinsically safe (Ex ia); Zone 0,1,2	-1: TTL Output $\triangle 5$ -2: Vin-Based Output $\triangle 5$	-A: 5/8-18 UNF-2A - MIN. -B: 11/16-24 UNF-2A -C: 3/4-16 UNF-2A -D: 3/4-20 UNF-2A -E: M16 x 1.5-6g -F: M18 x 1.5-6g -G: M20 x 1.5-6g -Z: Custom thread (consult factory)	-L1.875: 1.875[47.6] (MIN.) -L3.5: 3.5[88.9] -L6: 6[152.4] (MAX.) -Lxx: Custom length (consult factory. xx: in inches, and within indicated min and max lengths)	-Wxx*: 1/2" NPT Conduit Connection (18 AWG wire output) -M20-Wxx*: M20x1.5 Female Connection (18 AWG wire output) -Jxx*: 1/2" NPT Conduit Connection with 18AWG Jacketed Cable -M20-Jxx*: M20x1.5 Female Connection with 18AWG Jacketed Cable *xx: 5-100 Ft., 1 Ft increment -P: Pin-output $\triangle 9$ (Only Intrinsically Safe "Ex ia" Approvals)

THIS DOCUMENT, ALL INFORMATION CONTAINED IN AND ALL INFORMATION RELATED TO, IS PROPERTY OF DYNALCO. IS CONFIDENTIAL TO IT AND NO PART THEREOF NOR ANY SUCH INFORMATION MAY BE COPIED, DISSEMINATED OR USED IN ANY MANNER WHATSOEVER WITHOUT THE PRIOR WRITTEN CONSENT OF DYNALCO AND IS TO BE RETURNED TO DYNALCO UPON REQUEST.

UNLESS OTHERWISE SPECIFIED		THIRD ANGLE PROJECTION	
DIMENSIONS ARE IN INCHES DIMENSIONAL TOLERANCES: FRACTIONAL ± 1/64 ANGULAR: ± 1/2° XX ± 0.010 XXX ± 0.005		DYNALCO	
MODEL: M920	DATE: 06/28/17	DRAWN: PV	APPROVED: JR
MATERIAL: -	TITLE: PICKUP, ZERO VELOCITY		
FINISH: -	SIZE: B	DWG. NO.: 800-0920	REV: A
DO NOT SCALE DRAWING	SCALE 1:2	WEIGHT	SHEET 1 OF 1