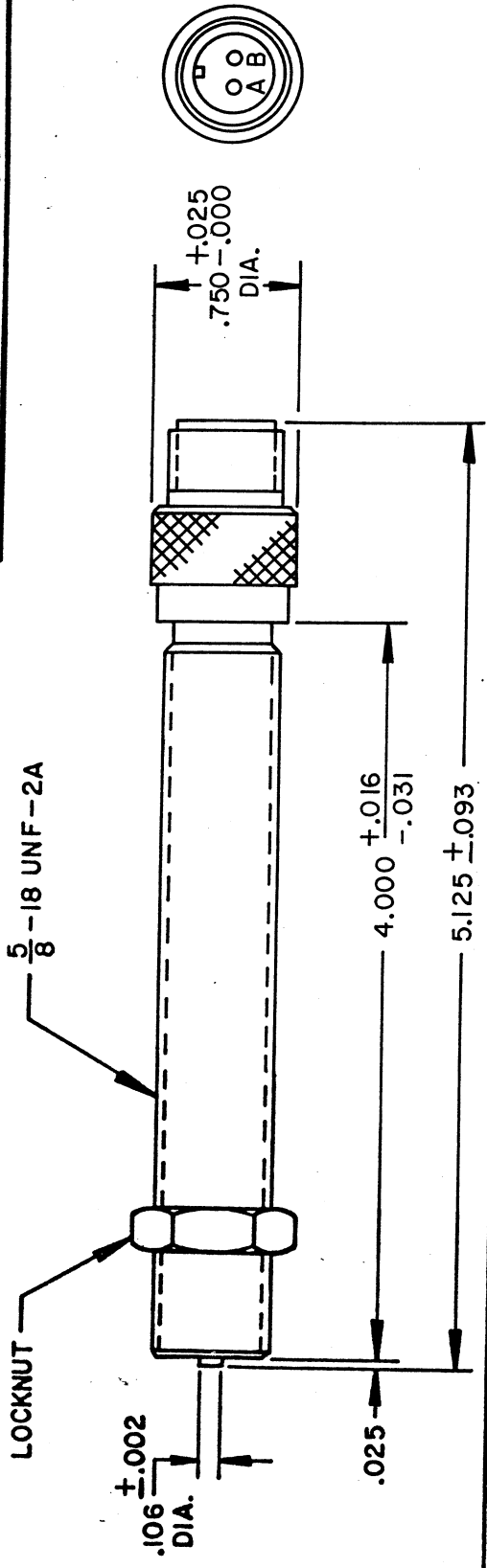


|           |             |
|-----------|-------------|
| REVISIONS |             |
| LTR       | DESCRIPTION |
| DATE      | APPD        |



| TEMPERATURE RANGE | OUTPUT VOLTAGE PEAK TO PEAK | DC RESISTANCE OHMS | INDUCTANCE MILLIHENRY | OUTPUT CONNECTOR                          | INSULATION RESISTANCE                        | NET WEIGHT |
|-------------------|-----------------------------|--------------------|-----------------------|---|--|------------|
| -65° F TO +225° F | 160-240 VOLTS (SEE NOTE 1)  | 1000-1300 AT 75° F | 360 NOM.              | MATES WITH MS3106A - IOSL-4S (SEE NOTE 2) | 100 MEGOHMS MIN. AT 500 VDC, COIL TO HOUSING | OZ. AVG.   |

**NOTES:**

- TESTED AT 1000 INCHES/SECOND WITH A 20 PITCH, 30 TOOTH GEAR, 0.005" CLEARANCE AND 100,000 OHM LOAD SHUNTED BY 250 MMF.
- WITH APPROACH OF FERROUS METAL, PIN "B" IS POSITIVE WITH RESPECT TO PIN "A".

**CONSTRUCTION:**

HOUSING - 303 STAINLESS STEEL  
 POLE PIECE - 416 STAINLESS STEEL  
 POTTING - EPOXY RESIN

UNLESS OTHERWISE SPECIFIED DIMENSIONS ARE IN INCHES  
 TOLERANCES ARE

|        |                        |        |
|--------|------------------------|--------|
| FRACT. | DEC.                   | ANGLES |
| ±1/64  | .XXX ±.005<br>.XX ±.01 | ±1/2°  |

**MATERIAL:**

**DYNALCO® CORPORATION**  
 FORT LAUDERDALE, FLORIDA

DRAWN Ralph D.  
 APPROVED *L. O. [Signature]*

DATE 4-6-78  
 4/10/78

TITLE

**MAGNETIC PICKUP MODEL MI33**

SCALE —  
 SIZE A  
 DRAWING NUMBER 8000133

**FINISH:**

DO NOT SCALE THIS DRAWING

REV.