

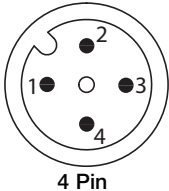
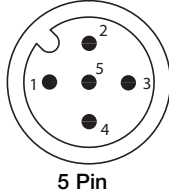
## Cable & Connectors

### M12 (Micro) Cordset

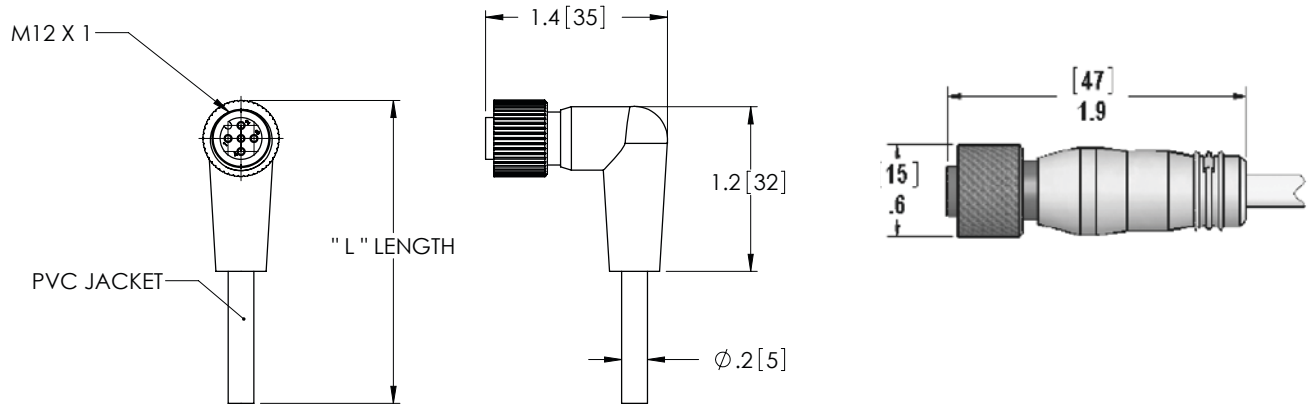
#### General Specifications

<b>Body:</b>	Oil resistant PVC
<b>Insulator:</b>	Polyamide
<b>Contacts:</b>	Copper alloy with gold plating
<b>Coupling Nut:</b>	Nickel plated brass
<b>Cable:</b>	Oil resistant PVC jacket, Rated at 300V, 105°C, non-wicking, Non-Hygroscopic, UL Style 2661 or 2517
<b>Conductors:</b>	22 AWG, PVC Insulated
<b>O-Ring:</b>	Buna N
<b>Temperature:</b>	-40°C to +105°C (-40°F to +221°F)
<b>Protection:</b>	IP 67
<b>Approvals:</b>	U.S.: UL Recognized Canada: C-UL Recognized

#### 4 Pin & 5 Pin Color Code

Face View of Female	Pin Color Code	Wire AWG Rating
 <p>4 Pin</p>	1-Brown 2-White 3-Blue 4-Black	22 AWG 300V AC/DC 4A Max
 <p>5 Pin</p>	1-Brown 2-White 3-Blue 4-Black 5-Gray	22 AWG 300V AC/DC 4A Max

#### Technical Drawing



Dimensions in inches [mm]

Female right angle cable

Female straight cable

#### Order Numbers - 4 Pin

Config. #*	Order Number	Cable Length	Wire Gauge & Rating	Description
/A	239535-1M-R	3.28 Feet (1 meter)	22 AWG, 300V 4A	4 Pin M12 Female Right Angle Plug Molded Cable
/B	239535-2M-R	6.56 Feet (2 meter)		
/E	239535-5M-R	16.40 Feet (5 meters)		
/F	239535-10M-R	32.81 Feet (10 meter)		
/G	239535-1M	3.28 Feet (1 meter)	22 AWG, 300V 4A	4 Pin M12 Female Straight Plug Molded Cable
/H	239535-2M	6.56 Feet (2 meter)		
/K	239535-5M	16.40 Feet (5 meters)		
/L	239535-10M	32.81 Feet (10 meter)		

\*Datasheet accessory option code in product configurator

# Cable & Connectors

## M12 (Micro) Cordset Continued

### Order Numbers - 4 Pin Shielded

Config. #*	Order Number	Cable Length	Wire Gauge & Rating	Description
/AS	239535-1M-R-S	3.28 Feet (1 meter)	22 AWG, 300V 4A	4 Pin M12 Female Right Angle Plug Molded Cable, Shielded
/ES	239535-5M-R-S	16.40 Feet (5 meters)		
/FS	239535-10M-R-S	32.81 Feet (10 meter)		
/GS	239535-1M-S	3.28 Feet (1 meter)	22 AWG, 300V 4A	4 Pin M12 Female Right Angle Plug Molded Cable, Shielded
/KS	239535-5M-S	16.40 Feet (5 meters)		
/LS	239535-10M-S	32.81 Feet (10 meter)		

\*Datasheet accessory option code in product configurator

### Order Numbers - 5 Pin (for BPS3000 only)

Order Number	Cable Length	Wire Gauge & Rating	Description
239546-1M-R	3.28 Feet (1 meter)	22 AWG, 300V 4A	5 Pin M12 Female Right Angle Plug Molded Cable
239546-5M-R	16.40 Feet (5 meters)		
239546-1M	3.28 Feet (1 meter)	22 AWG, 300V 4A	5 Pin M12, Female Straight Plug Molded Cable
239546-5M	16.40 Feet (5 meters)		

### Order Numbers - 5 Pin Shielded (for BPS3000 only)

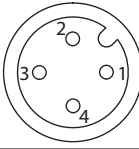
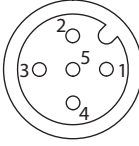
Order Number	Cable Length	Wire Gauge & Rating	Description
239546-1M-R-S	3.28 Feet (1 meter)	22 AWG, 300V 4A	5 Pin M12 Female Right Angle Molded Cable, Shielded
239546-5M-R-S	16.40 Feet (5 meters)		
239546-10M-R-S	32.81 Feet (10 meters)		
239546-1M-S	3.28 Feet (1 meter)	22 AWG, 300V 4A	5 Pin M12, Female Straight Plug Molded Cable, Shielded,
239546-5M-S	16.40 Feet (5 meters)		
239546-10M-S	32.81 Feet (10 meters)		

## Cable & Connectors

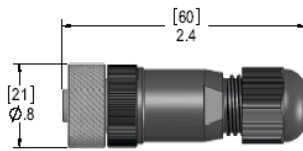
### M12 Field Wireable Plugs

#### General Specifications

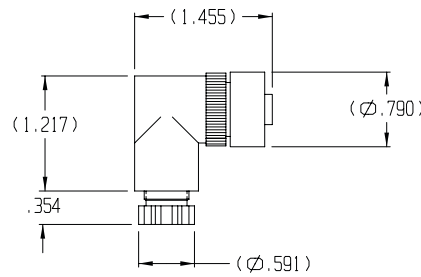
<b>Body:</b>	Black polyamide
<b>Insulator:</b>	Black polyamide
<b>Contacts:</b>	Copper alloy with gold plating
<b>Coupling Nut:</b>	Nickel plated Brass
<b>Seal:</b>	NBR
<b>Temperature:</b>	-25°C to +85°C (-13°F to +185°F)
<b>Protection:</b>	IP67
<b>Approvals:</b>	U.S.: UL Recognized Canada: C-UL Recognized

Face View	# of Poles	Wire AWG Rating
	4	18-24 250V 4A
	5	18-24 250V 4A

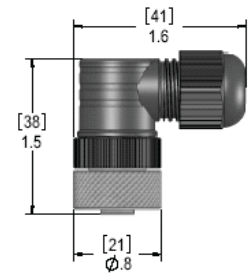
#### Technical Drawing



4 Pin and 5 Pin M12 Female Straight



4 Pin Female Right Angle



5 Pin Female Right Angle

Dimensions in inches [mm]

#### Order Numbers

Config. #*	Order Number	Description
/M	239537	4 Pin M12 Female Straight Connector
/P	239236	4 Pin M12 Female Right Angle Connector
	239548-S	5 Pin M12 Female Straight Connector
	239548-R	5 Pin M12 Female Right Angle Connector

\*Datasheet accessory option code in product configurator

# Cable & Connectors

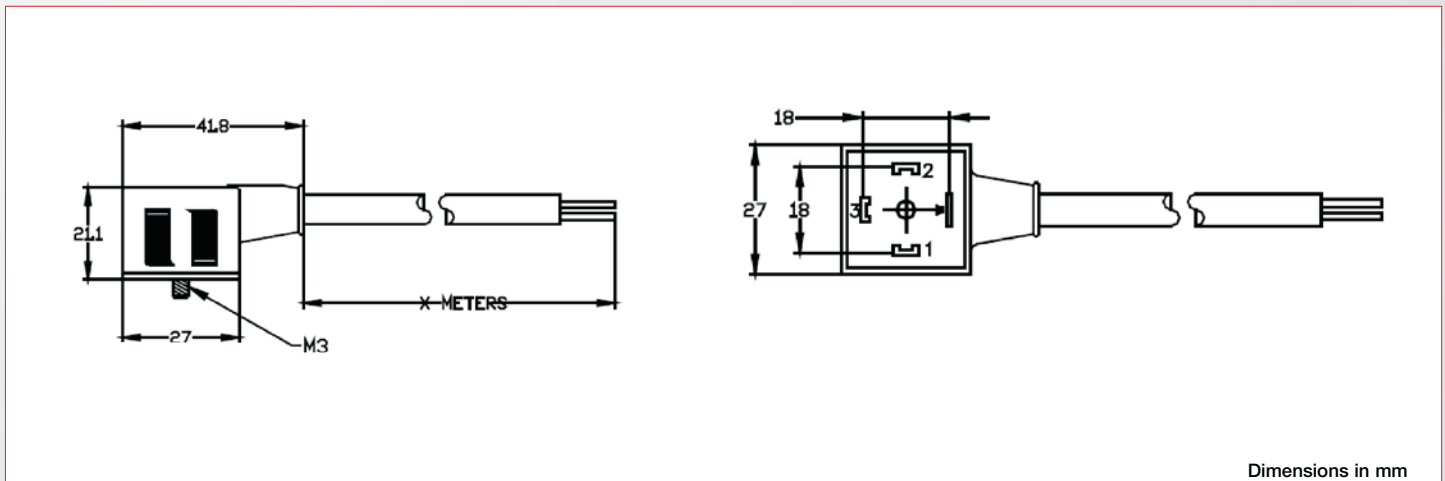
## DIN Connector Cordset

### General Specifications

<b>Body:</b>	Black polyamide
<b>Contacts:</b>	Copper alloy with silver plating
<b>Gasket:</b>	Thermoplastic
<b>Screw:</b>	Steel zinc plate
<b>Cable:</b>	Black PVC
<b>3 Pole:</b>	4x18 AWG; Cable O.D.: 0.26"
<b>Temperature:</b>	-40°C to 80°C (-40°F to +176°F)
<b>Protection:</b>	IP 65

Valve Pin #	Color Code
	3+ Ground
1	Brown
2	Gray
3	Black
Ground	Green/Yellow

### Technical Drawing



### Order Numbers

Config. #*	Order Number	Description	Cable Length	Wire Gauge & Rating
/N	239536-2M-R	DIN 43650 Type A Connector with Molded Cable	6.56 feet (2 meters)	18 AWG, 250VAC/DC
/O	239536-5M-R	DIN 43650 Type A Connector with Molded Cable	16.40 feet (5 meters)	18 AWG, 250VAC/DC
/R	239536-10M-R	DIN 43650 Type A Connector with Molded Cable	32.81 feet (10 meters)	18 AWG, 250VAC/DC
/Q	43904	DIN 43650 Type A Connector Only		

\*Datasheet accessory option code in product configurator