

Bilge Level Switch

Type UNS-VA/SB1-VA52

Level switch without test function

Features

Particularly rugged and sturdy design for bilge monitoring

Applications

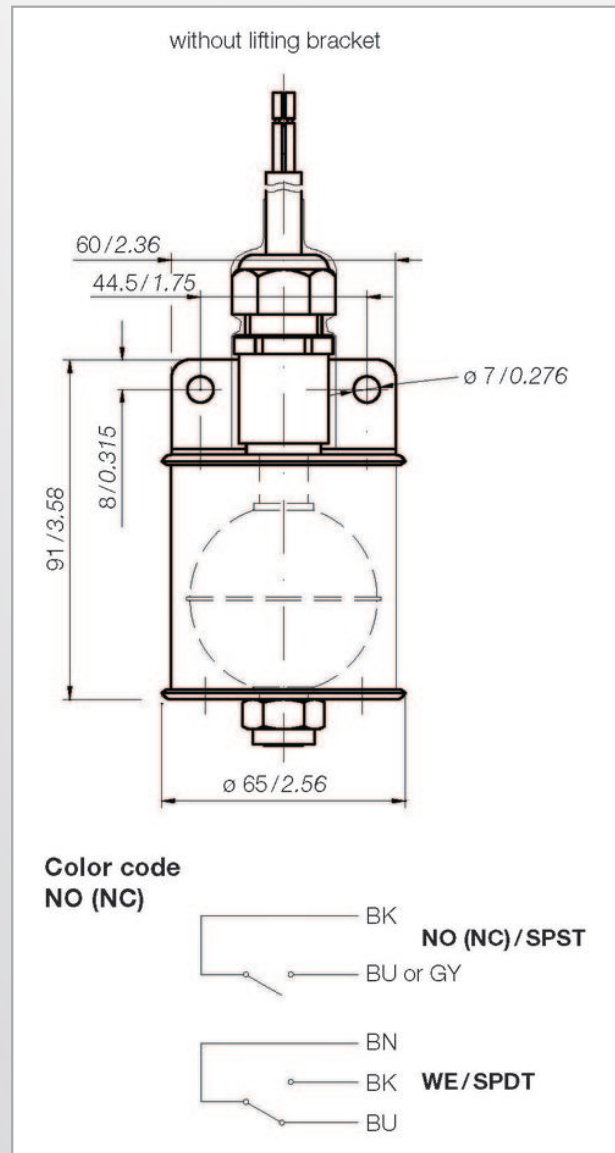
Shipbuilding,
sewage works



Technical Data

Stem, housing and screw coupling:	stainless steel 1.4571
Ball float:	VA52, Ø = 52 mm
Operating pressure:	max. 10 bar
Temperature range:	max. -20 °C ... +80 °C
Fluid specific gravity:	min. 0.70 g/cm ³
Attachment:	Holding bracket
Protection class:	IP67
Electrical connection:	Shipbuilding or marine cable
Cable length:	2 m (standard), 5 m, 10 m
Contact:	1: normally open contact (NO) 2: normally closed contact (NC) 3: change-over contact (WE)
Contact rating:	1: 250 V AC/DC / 3.0 A / 100 W / VA 2: 250 V AC/DC / 3.0 A / 100 W / VA 3: 140 V AC/DC / 1.0 A / 60 W / VA
Weight:	approx. 735 g
Approvals:	GL, BV and RMRS (RINA, ABS and LR on request)

Dimensions (mm / inch)



Order Code

Type	Contact type	Cable length	Order No.
UNS-VA/SB1-VA52	NO (NC) SPST	2 m	0111-623
		5 m	0111-624
		10 m	0111-625
	WE SPDT	2 m	0111-629
		5 m	0111-630
		10 m	0111-631