

Bilge Guard Level Switch

UNS-VA/SB5 or B4

Features

- ▶ Rugged 316 stainless steel
- ▶ Built-in slosh shield
- ▶ Ideal for high viscosity liquid
- ▶ Reversible switch logic
- ▶ Hermetically sealed reed switches

Applications

- ▶ Sump tanks
- ▶ Storage tanks
- ▶ Solvent recovery systems
- ▶ Lube oil console systems
- ▶ Marine applications



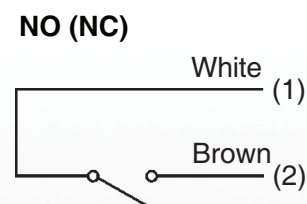
General Specifications*

Switch Rating SPST:	230 VAC/VDC @ 2.0 amps (Max.); 40 VA/W
Switch Configuration:	Shipped as Normally Open (NO); Can be converted to Normally Closed (NC) by rotating float 180°.
Wetted Parts: Stem, Bracket & Slosh Shield:	316 Stainless Steel
Float:	Polyethylene (PE)
Cable:	Halogen-free polymer, UL-VO
Strain Relief:	Polyamide (PA)

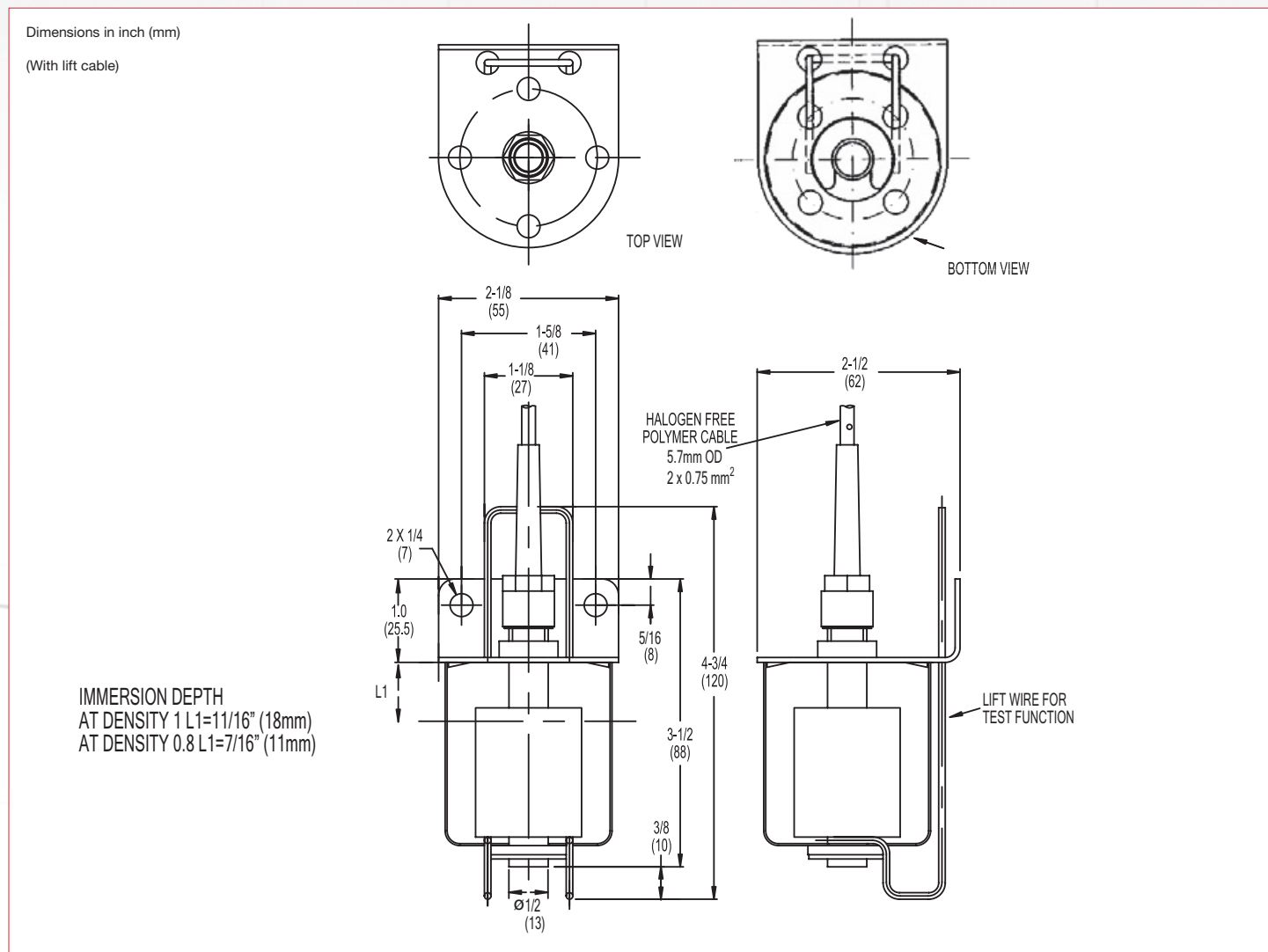
Electrical Connection:	Polymer jacketed cable, 2-conductor 18 AWG (yellow cable)
Mounting:	Suspended from cable / vertical $\pm 15^\circ$
Minimum Specific Gravity:	0.8 g/cm ³
Operating Temperature:	-4° to +158°F (-20° to +70°C)
Operating Pressure:	45 psig (3 bar) at 20°C
Cable Length:	6 ft., 30 ft., or 45 ft.
Weight:	Approx. 180 gram

* See Order Number Key for additional options.

Wiring Color / Code



Technical Drawing



Order Number Key / Options

• Highlighted options represent those most frequently used.
Select these common options for improved availability. (5/21)

With Lift Wire

TYPE MODE	CONTACT	MODE	CABLE TYPE/LENGTH	ORDER NO.
UNS-VA/SB5 Bilge Guard	(NO) NC ¹	Reversible	Polymere / 6 ft (2 m)	0111-510
	(NO) NC ¹	Reversible	Polymere / 30 ft (10 m)	0111-531
	(NO) NC ¹	Reversible	Polymere / 45 ft (15 m)	0111-534

Without Lift Wire

TYPE MODE	CONTACT	MODE	CABLE TYPE/LENGTH	ORDER NO.
UNS-VA/SB4 Bilge Guard	(NO) NC ¹	Reversible	Polymere / 6 ft (2 m)	0111-509
	(NO) NC ¹	Reversible	Polymere / 30 ft (10 m)	0111-660
	(NO) NC ¹	Reversible	Polymere / 45 ft (15 m)	0111-528

Note: All switch contacts are SPST

¹ Shipped as NO (standard). Rotate float by 180° for NC.