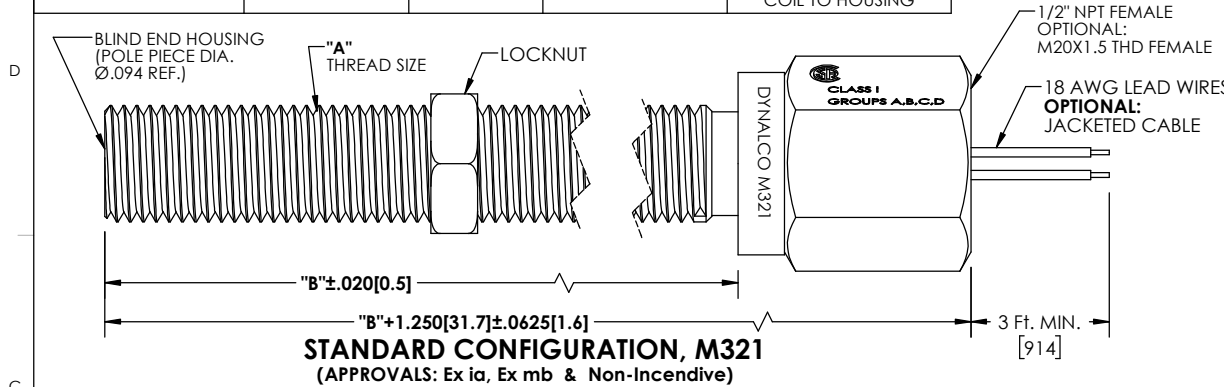


8	7	6	5	4	3	2	1
OUTPUT VOLTAGE	DC RESISTANCE AT 75 °F	INDUCTANCE AT 1 KHZ	OUTPUT LEADS	INSULATION RESISTANCE AT 500 VDC			
20-35V P-P	1670-1710 OHMS	29mH. NOM.	AWG 18 UL 1015	100 MEGOHMS MIN. COIL TO HOUSING			

REV	ECN	REVISION RECORD	DATE	DR	CK
A	11599	RELEASING PER AGENCY APPROVAL	12/18/19	PV	TT
B	11782	NOTE 11 ADDED	09/09/20	SS	PV
C	12358	COLUMN ADD FOR -QXX	06/02/22	PV	CS
D	12920	ADDED CE 2776 AND UKCA2503	05/24/23	PV	CS
E	13098	ADDED CML 21UKE21085X	02/02/24	PC	-
G	13905	CERTIFICATION UPDATED FOR CSA	02/07/26	PV	CS



STANDARD CONFIGURATION, M321
(APPROVALS: Ex ia, Ex mb & Non-Incendive)

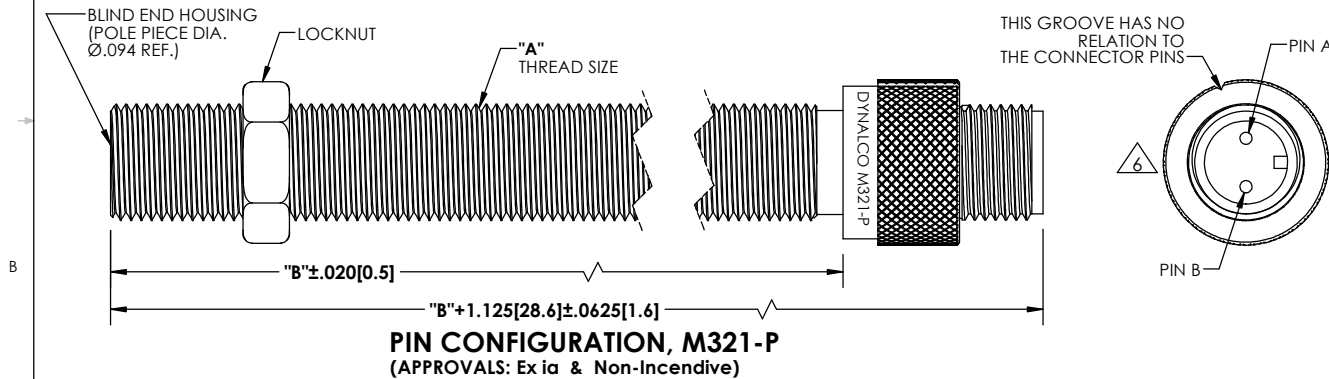
AGENCY APPROVALS:
ATEX, IECEx, NoA CERTIFIED

II 1 G
Ex ia IIC T4 Ga
Class I Zone 0 AEx ia IIC T4 Ga
IS Class I Div 1, Gr A B C D, T4
NI Class I Div 2, Gr A B C D, T4
-40°C ≤ Tamb ≤ +80°C

II 2 G
Ex mb IIC T4 Gb
Class I Zone 1, AEx mb IIC T4 Gb
Class I Div 2, Gr A B C D, T4
-40°C ≤ Tamb ≤ +90°C

UK CA 2503

CML 19ATEX2490X
IECEx CML 19.0182X
CML 21UKE21085X
CSA 26CA80278336X



PIN CONFIGURATION, M321-P
(APPROVALS: Ex ia & Non-Incendive)

NOTES:

- TESTED AT 1000 INCHES/SECOND WITH AN 20 PITCH, 30 TOOTH GEAR, 0.005" CLEARANCE AND 100 KOHMS.
- WITH APPROACH OF FERROUS METAL, WHITE LEAD/PIN A IS POSITIVE WITH RESPECT TO BLACK LEAD/PIN B.
- INSTRUMENT OR INSTALLATION MUST LIMIT GENERATED VOLTAGE TO 21V RMS (60 VOLTS PEAK TO PEAK) AND MAX. CURRENT TO 0.05 AMPS.
- HOUSING: 303 STAINLESS STEEL, POTTING: EPOXY RESIN
- OPTIMUM OPERATING AIR GAP: .005"[0.127] TO .025"[0.635]
- CABLE-CONNECTOR SOLD SEPARATELY FOR PIN CONFIGURATION. C101-XX (XX: 10 TO 100 FT; 10 FT INCREMENT)
- AMBIENT TEMPERATURE RANGES:
-40°F to +176°F (-40°C to +80°C) FOR INTRINSICALLY SAFE (Ex ia) INSTALLATIONS
-40°F to +194°F (-40°C to +90°C) FOR ENCAPSULATION (Ex mb) INSTALLATIONS
- DIMENSIONS ARE IN INCHES [MM]
- MARKING: WIRE OUTPUT OPTION: MARKING IS LASR ETCHED ON BODY. PIN OUTPUT OPTION: LABEL WILL BE PROVIDED WHICH MUST BE ATTACHED NEAR PICKUP INSTALLATION.
- FOR Ex mb, RATED VOLTAGE U = 28V, I = 93 mA
FOR Ex ia, Ui = 28V and Ii = 93 mA
- REFER #145F-13228 FOR INSTALLATION INSTRUCTIONS BULLETIN OF M321

PRODUCT CONFIGURATOR

M321	-A	-L3.5	-P	-Qxx
BASE NUMBER	DIM "A" THREAD SIZE	DIM "B" THREAD LENGTH	ELECTRICAL CONNECTION	OPTIONS
M321 POLE PIECE DIAMETER: Ø.094"[2.38]	-A: 5/8-18 UNF-2A - MIN. -B: 11/16-24 UNF-2A -C: 3/4-16 UNF-2A -D: 3/4-20 UNF-2A -E: M16 x 1.5-6g -F: M18 x 1.5-6g -G: M20 x 1.5-6g -Z: Custom thread (consult factory)	-L1.875: 1.875[47.6] (MIN.) -L3.5: 3.5[88.9] -L4.5: 4.5[114.3] -L6: 6[152.4] (MAX.) -Lxx: Custom length (consult factory, xx: in inches, and within indicated min and max lengths)	-Wxx*: 1/2" NPT Conduit Connection (18 AWG wire output) -M20-Wxx*: M20x1.5 Female Connection (18 AWG wire output) -Jxx*: 1/2" NPT Conduit Connection with 18AWG Jacketed Cable -M20-Jxx*: M20x1.5 Female Connection with 18AWG Jacketed Cable *xx: 3-100 Ft., 1 Ft increment -P: Pin-output (Only Intrinsically Safe "Ex ia" Approvals)	-Qxx: Private Label

THIS DOCUMENT, ALL INFORMATION CONTAINED IN AND ALL INFORMATION RELATED TO, IS PROPERTY OF DYNALCO. IS CONFIDENTIAL TO IT AND NO PART THEREOF NOR ANY SUCH INFORMATION MAY BE COPIED, DISSEMINATED OR USED IN ANY MANNER WHATSOEVER WITHOUT THE PRIOR WRITTEN CONSENT OF DYNALCO AND IS TO BE RETURNED TO DYNALCO UPON REQUEST.

UNLESS OTHERWISE SPECIFIED		THIRD ANGLE PROJECTION	
DIMENSIONS ARE IN INCHES DIMENSIONAL TOLERANCES: FRACTIONAL: 1/64 ANGULAR: ± 1/2° XX ±0.010 XXX ±0.005		DYNALCO	
DATE: 12/27/17	MODEL: M321	DRAWN: PV	APPROVED: JR
MATERIAL: -	TITLE: MAGNETIC PICKUP WITH HAZARDOUS AREA APPROVAL		
FINISH: -	SIZE: B	DWG. NO.: 800-0321	REV: G
DO NOT SCALE DRAWING	SCALE: 1:2	WEIGHT: ^(Wire) 184 gm	SHEET 1 OF 1