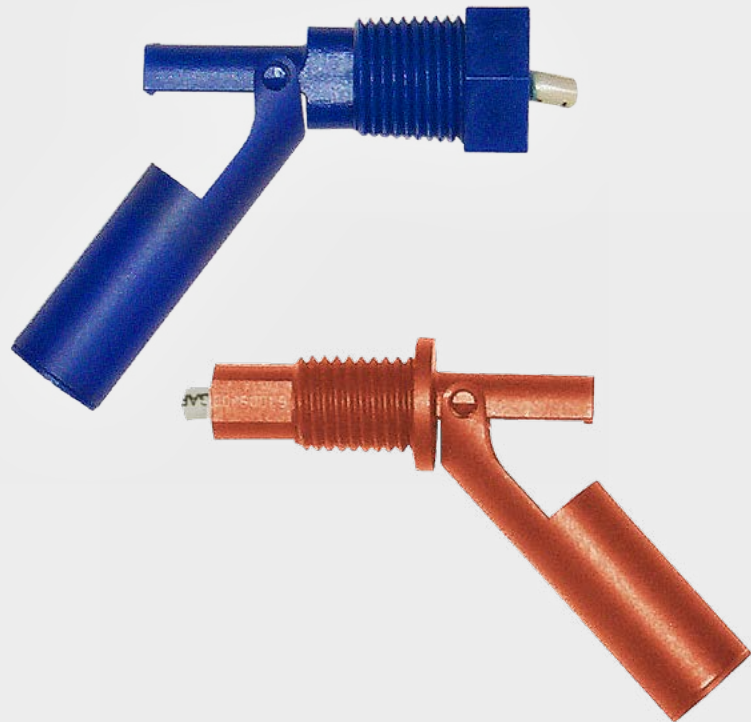


# UNS

## Single-Point Level Switches

DATA-  
SHEETS  
INSIDE



*see the difference.*

UNS  
*see the difference.*

## Float Bases Level Detection for Point-Level Control

Barksdale single-point level switches provide reliable liquid level detection using proven float technology. Designed for all kinds of application, they enable precise ON/OFF control in tanks, reservoirs, and process systems across a wide range of pressures, temperatures, and media types.

### Key Features

- ▶ Wide range of mounting options (vertical, horizontal)
- ▶ Multiple material options (SS, plastics, etc.)
- ▶ High pressure & temperature capability
- ▶ Simple switching output (NO / NC / SPDT)
- ▶ Customizable switching point lengths
- ▶ Proven float technology – no calibration required
- ▶ Compact designs for tight installations

### Markets

- ▶ Tanks & reservoirs
- ▶ Hydraulic systems
- ▶ Compressors & pumps
- ▶ Water & wastewater

## Certifications & Approvals

To ensure the highest quality, our processes are ISO 9001:2015 certified - from the control of the materials used, the monitoring of the production facilities through to manufacturing. Barksdale offers a wide range of certificates for selected products.





## Table of Contents

Series	Description	Page
UNS-MS1/8-BN25	Single-Level Brass Switch	4
UNS-VA1/8-VA27	Single-Level Stainless Steel Level Switch	5
UNS-VA1/4-VA52	Single-Level Stainless Steel Level Switch	6
UNS-PA16-PA18/ UNS-PP16-PP18	Single-Level Polyamide Level Switch / Single-Level Polypropylene Level Switch	7



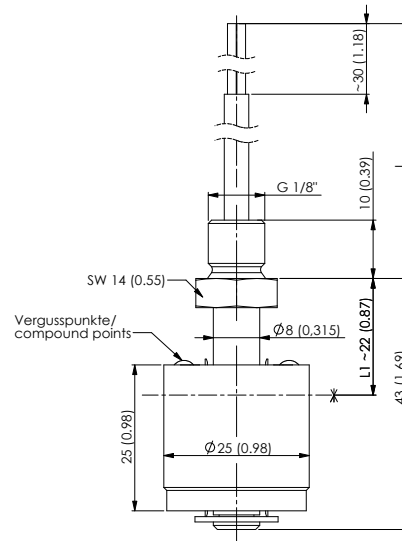
# Single-Level Brass Switch

## UNS-MS1/8-BN25

### Technical Data

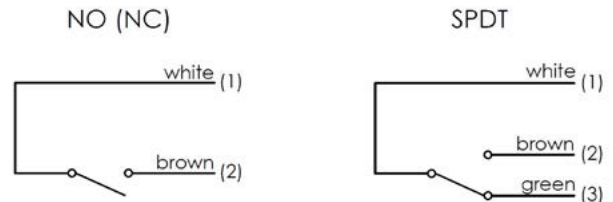
Material	Brass
Mounting Position	Vertical, $\pm 30^\circ$ , through top or bottom
Float Material	Buna-N
Float Diameter (in mm)	25
Operating Pressure Bar at 20 °C	15
Min. Fluid Specific Gravity in g/cm <sup>3</sup>	0.57
Protection Class	IP54
Operating Temperature Oil	-20 °C...+100 °C
Water	-20 °C...+80 °C
Weight	40 g
Approval	ATEX, IECEx, cULus, BV, DNV, LR, RINA

### Dimensions (mm / inch)



By turning the float upside down the function of the switch contact can be changed from NO (standard) in NC or vice versa. (Not possible with SPDT contacts). The contact modes (NO or NC) are defined on the basis of an empty tank and for a level switch mounted through the top.

### Color Code



### Order Code

Order No.	Mounting Element	Cable Type	Cable Length*	Contact Mode and Rating
0111-464	G1/8	PVC-cable	1m	NO/NC 230 V AC / DC 2 A, 40 VA / W
0111-465			3m	
0111-466			5m	
0111-467			1m	SPDT 150 V AC / 100 V DC, 0.2 A, 3 VA / W
0111-468			3m	
0111-469			5m	
0111-571	NPT 1/8	Max. 3 x 0.34 mm <sup>2</sup>	1m	NO/NC 230 V AC / DC 2 A, 40 VA / W
0111-572			3m	
0111-573			5m	
0111-574			1m	SPDT 150 V AC / 100 V DC, 0.2 A, 3 VA / W
0111-575			3m	
0111-576			5m	

\*For longer lead length, consult factory.

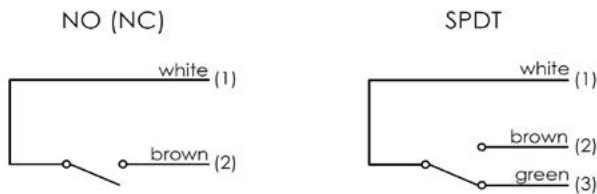
# Single-Level Stainless Steel Level Switch

## UNS-VA1/8 VA27

### Technical Data

Material	Stainless Steel
Mounting Position	vertical, $\pm 30^\circ$ , through top or bottom
Float Material	Stainless Steel
Float Diameter (in mm)	27
Operating Pressure Bar at 20 °C	15
Min. Fluid Specific Gravity in g/cm <sup>3</sup>	0.71
Protection Class	IP54
Weighth	90 g
Approval	ATEX, IECEx, cULus, BV, DNV, LR, RINA

### Color Code

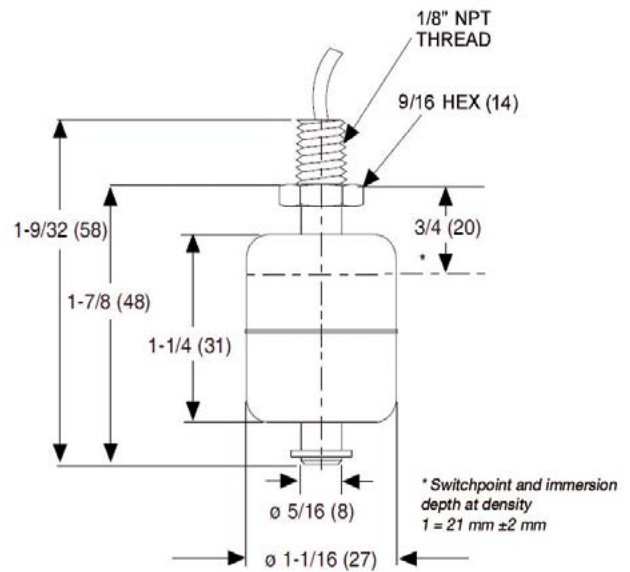


### Order Code

Order No.	Mounting Element	Cable Type	Cable Length*	Contact Mode and Rating	Operating Temperature
0111-449	G1/8	PVC-cable Max. 3 x 0.34 mm <sup>2</sup>	1m	NO/NC 230 V AC / DC 2.0 A, 40 VA / W	-10 °C...+105 °C
0111-450			3m		
0111-451			5m		
0111-452			1m		
0111-453			3m		
0111-454			5m		
0111-455		Silicone Max. 3 x 0.5 mm <sup>2</sup>	1m	SPDT 150 V AC / 100 V DC, 0.2 A, 3 VA / W	
0111-456			3m		
0111-457			5m		
0111-458			1m		
0111-458			3m		
0111-460			5m		
0111-577	NPT 1/8	PVC-cable Max. 3 x 0.34 mm <sup>2</sup>	1m	NO/NC 230 V AC / DC 2.0 A, 40 VA / W	-10 °C...+105 °C
0111-578			3m		
0111-579			5m		
0111-580			1m		
0111-581			3m		
0111-582			5m		

\*For longer lead length, consult factory.

### Dimensions (mm / inch)



By turning the float upside down the function of the switch contact can be changed from NO (standard) in NC or vice versa. (Not possible with SPDT contacts). The contact modes (NO or NC) are defined on the basis of an empty tank and for a level switch mounted through the top.

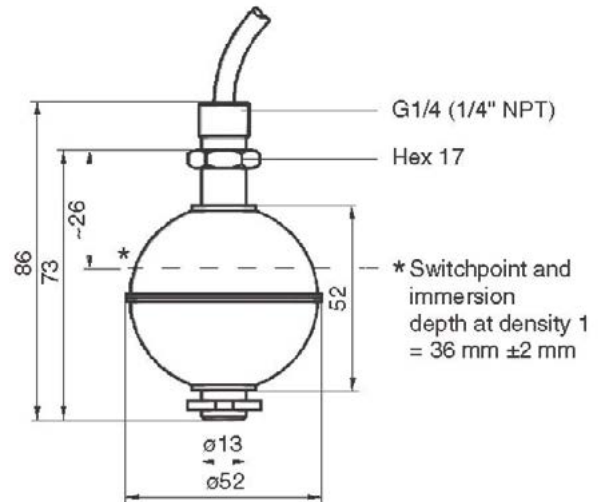
# Single-Level Stainless Steel Level Switch

## UNS-VA1/4-VA52

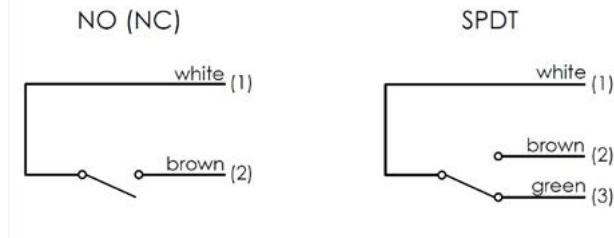
### Technical Data

Material	Stainless Steel
Mounting Position	vertical, $\pm 30^\circ$ , through top or bottom
Float Material	Stainless Steel
Float Diameter (in mm)	52
Operating Pressure Bar at 20 °C	40
Min. Fluid Specific Gravity in g/cm <sup>3</sup>	0.78
Protection Class	IP54
Weight	40 g
Approval	ATEX, IECEx, cULus, BV, DNV, LR, RINA

### Dimensions (mm / inch)



### Color Code



By turning the float upside down the function of the switch contact can be changed from NO (standard) in NC or vice versa. (Not possible with SPDT contacts). The contact modes (NO or NC) are defined on the basis of an empty tank and for a level switch mounted through the top.

### Order Code

Order No.	Mounting Element	Cable Type	Cable Length*	Contact Mode and Rating	Operating Temperature	
0111-482	G1/4	PVC-cable Max. 3 x 0.34 mm <sup>2</sup>	1m	NO/NC 250 V AC / DC 3.0 A, 100 VA / W	-10 °C...+105 °C	
0111-483			3m			
0111-484			5m			
0111-485			1m			
0111-486			3m	SPDT 140 V AC / DC, 1.0 A, 60 VA / W		
0111-487			5m			
0111-488			1m			
0111-489			3m	NO/NC 250 V AC / DC 3.0 A, 100 VA / W		-40 °C...+150 °C
0111-490			5m			
0111-491			1m			
0111-492			3m	SPDT 140 V AC / DC, 1.0 A, 60 VA / W		
0111-493			5m			
0111-589			1m			
0111-590			NPT 1/4	PVC-cable Max. 3 x 0.34 mm <sup>2</sup>		3m
0111-591	5m					
0111-592	1m					
0111-593	3m	SPDT 140 V AC / DC, 1.0 A, 60 VA / W				
0111-594	5m					

\*For longer lead length, consult factory.

# Single-Level Polyamide / Polypropylene Level Switch

## UNS-PA16-PA18 / UNS-PP-16/18

### Technical Data

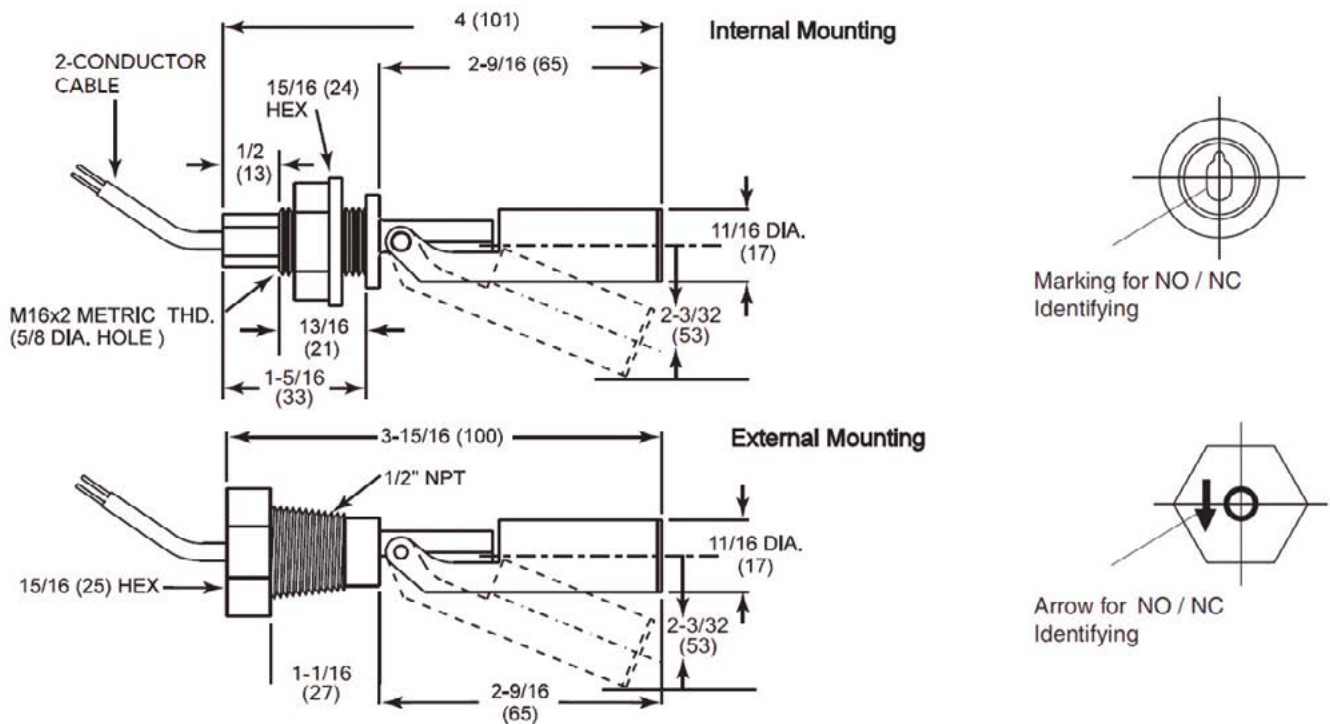
Mounting Position	Horizontal for Side Mounting
Cable Type*	PVC, max. 2 x 0.34 mm <sup>2</sup>
Float Diameter (mm)	18
Operation Pressure Bar at 20 °C	4
Protection Class	IP54
Weight	40 g
Max. Starting Torque	2.67 Nm
Approval	cULus

### Order Code

Order No.	Material	Mounting Element	Cable Type	Cable Length*	Contact Mode and Rating	Operating Temperature
0111-199	Blue, Polyamide 6.6	M 16 x 2.0 AG with Silicon gasket	PVC-cable Max. 2 x 0.34 mm <sup>2</sup>	1m	NO/NC 230 V AC / DC 3.0 A, 60 VA / W	-20 °C...+120 °C
0111-203		1/2" NPT Thread		1m		
0111-202		M 16 x 2.0 AG with Silicon gasket		3m		
0111-205		1/2" NPT Thread		3m		
0111-210	Red, Polypropylene	M 16 x 2.0 AG with Silicon gasket		1m		-20 °C...+90 °C
0111-327		1/2" NPT Thread	1m			

\*For longer lead length, consult factory.

### Dimensions (mm / inch)



# Design with Us



## Leverage our Engineering Expertise

### Customized Products for Your Project

Barksdale offers more than 50 product families and millions of configured options to measure, monitor and control processes essential to the industrial, power and transportation markets. We can make basic modifications to these standard products and options to ensure they are exactly matched to the project requirements.

#### **Market-focused. Technology-driven. Customer-intimate.**

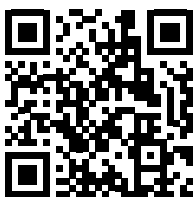
These elements at the heart of the company philosophy have made Barksdale a synonym for advanced measurement and control solutions since 1949. We continuously adapt our innovations to market requirements and offer customized solutions thanks to our global presence. With facilities in North America, Europe and Asia, we are a leading provider that combines close customer relationships with the highest level of technological expertise. Barksdale is part of the global Crane Co. Group. By utilizing synergy effects, growth and customer orientation are always the focus of all business units.

**Barksdale®**  
CONTROL PRODUCTS  
**CRANE** A SUBSIDIARY OF CRANE CO.

**Barksdale GmbH – Germany**  
Dorn-Assenheimer-Straße 27  
61203 Reichelsheim, Germany  
[www.barksdale.de](http://www.barksdale.de)

**Barksdale Inc. – LA**  
3211 Fruitland Avenue  
Los Angeles, CA 90058  
[www.barksdale.com](http://www.barksdale.com)

**Barksdale – China**  
33F Huaihai Plaza, No 1045  
Central Huaihai Road Shanghai  
200031, P.R.China



Visit [Barksdale.com](http://Barksdale.com) to view our complete product portfolio.  
Subject to technical change. Bulletin No. L0044 A