

Position Indicator

Model 371MT7

Reliable valve position feedback for Series II Valve

Features

- ▶ Fits ¼", ½" & 1" Series II valves
- ▶ 2 position and 3 position
- ▶ 30 VDC max, 500 mA (PLC compatible)
- ▶ Designed for Division I use (approval pending)
- ▶ NEMA 4X, IP67

Applications

- ▶ Valve status output
- ▶ BOP closing unit 'OPEN-CLOSE' signal
- ▶ Hydraulic power units



Patent pending

General Specifications*

Housing Material:	Stainless steel
Enclosure:	NEMA 4X, IP67
Approvals:	Designed for Division I use**
Electrical Rating:	30 VDC max, 500 mA (carry current)
Electrical Connection:	½" NPT rotating female conduit connection 5 m electrical cable
Maximum Contact Resistance:	100 milliohms
Dielectric:	100 megohms minimum (@ 250 VDC)
Switch Type:	SPST
Valve Position Feedback:	2-Way 3-Way

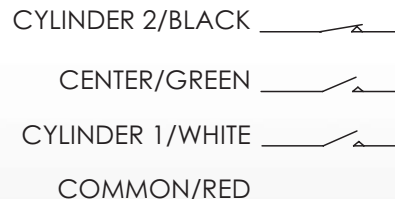
* See Product Configurator for additional options.

** Approval pending

Compatibility:	Compatible with Barksdale's ¼", ½" & 1" Series II valves
Operating Temperature:	-40 to +185°F (-40 to 85°C)
Installation Instructions:	<ul style="list-style-type: none"> - Connect electrical wires - Lightly lubricate the position indicator O-rings (2) - Fully insert switch into stop screw - Rotate position indicator for optimum cable exit - Secure set screws (2)
Weight:	2 lbs.



Wiring Code

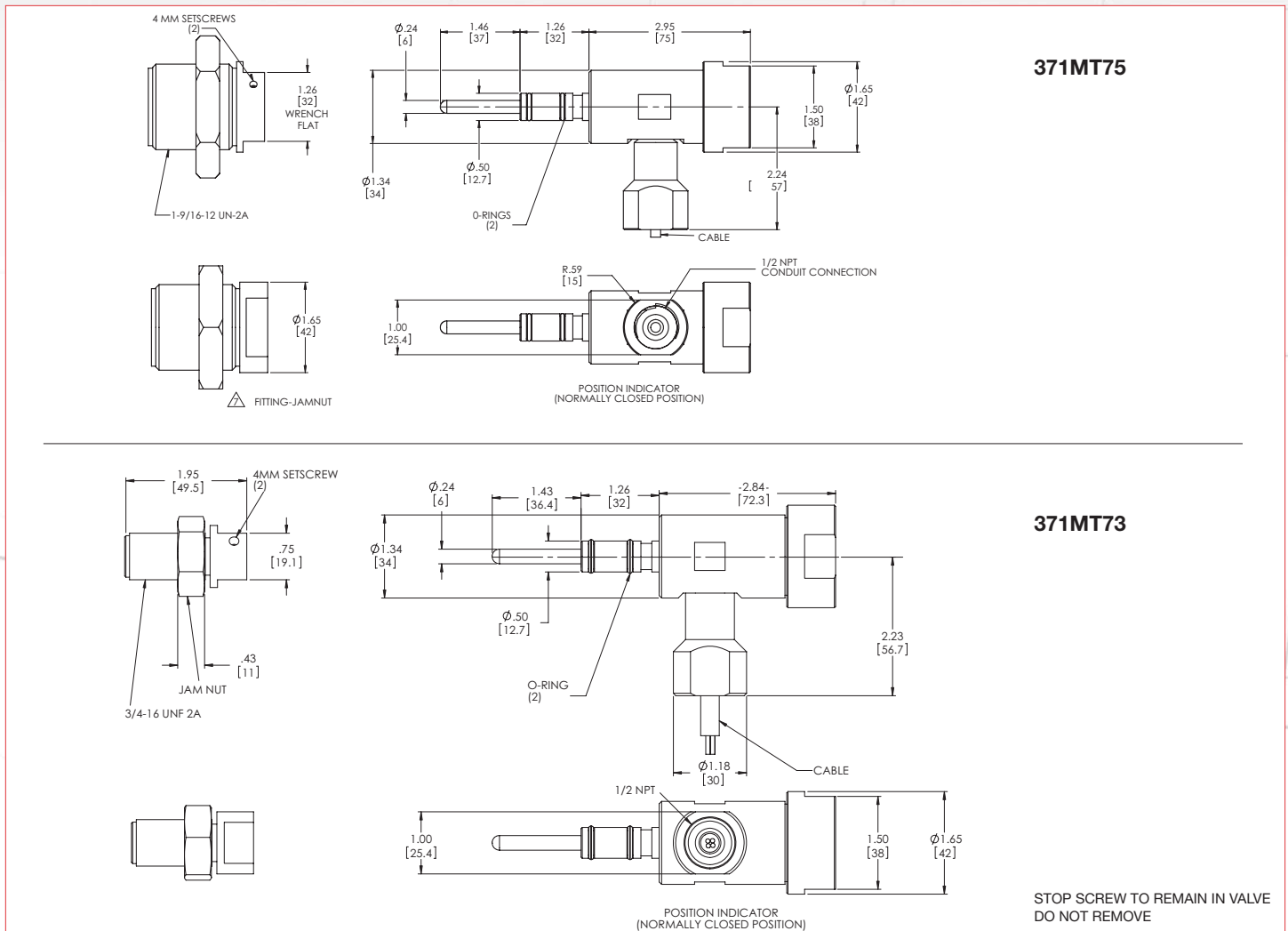


Position Indicator

Model 371MT7

Reliable valve position feedback for Series II Valve

Technical Drawings



When ordering together with Series II Valves

Product Configurator

Series II Valve part number **-B**

-B Position indicator

When ordering Position Indicator separately

Product Configurator

Example: **371MT7** **3**

Base Model

371MT7 Position indicator

Size

- 3** Fits 1/4" and 1/2" Series II valves
- 5** Fits 1" Series II valves