

Shear-Seal® Valve Actuators

2-Position & 3-Position

Features

- ▶ Remote valve control
- ▶ Accurate valve positioning
- ▶ Reliable rack and pinion design
- ▶ Manual override hub
- ▶ Air or hydraulic

Applications

- ▶ Steel mill water hydraulics systems
- ▶ Power plants
- ▶ Shipboard hydraulic systems
- ▶ Paper mills



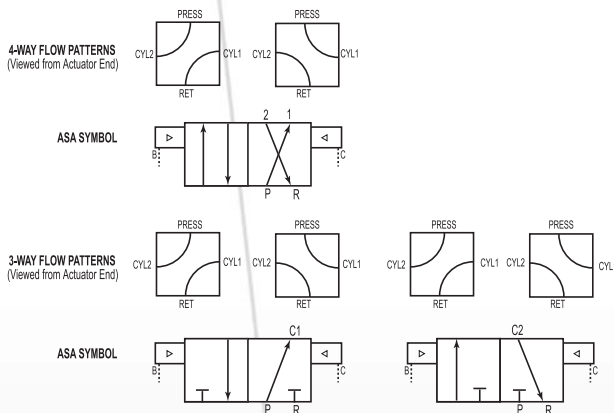
General Specifications*

Operating Pressure:	
Minimum:	80 psi (5.5 bar)
Maximum:	250 psi (17.2 bar)
Media:	Air or hydraulic oil
Speed of Operation:	Shift time for 90° must be 1/2 second minimum to avoid damage

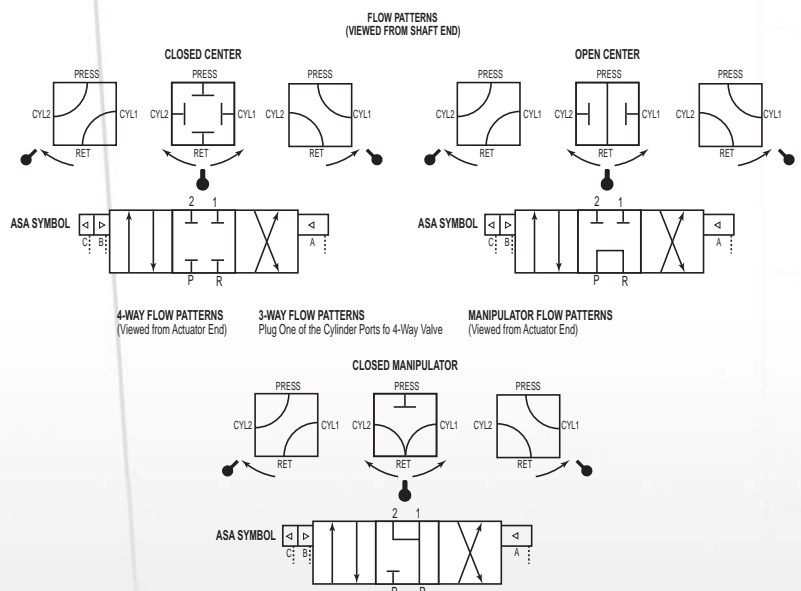
Housing, Endcaps:	Anodized aluminum
Cylinder:	Electroless nickel plate steel
Piston:	Anodized aluminum
Seals:	Buna N
Mounting Hardware:	Zinc plate steel

* See product configurator for additional options.

Two-Position Actuators



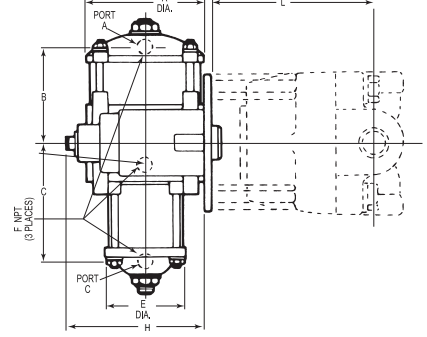
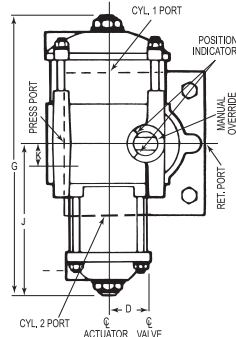
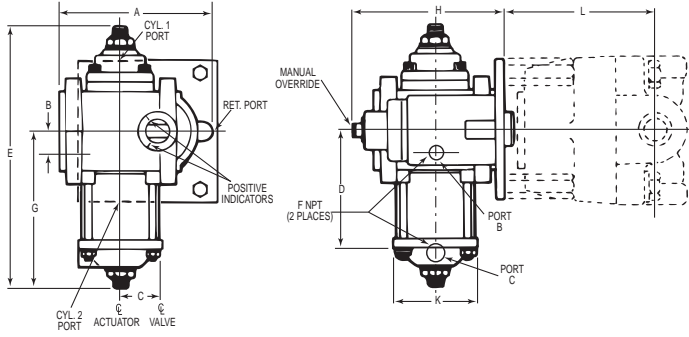
Three-Position Actuators



Shear-Seal® Valve Actuators

2-Position & 3-Position

Technical Drawings



2-Position Actuators

3-Position Actuators

2 Position

Actuator Code No.	A	B	C	D	E	F	G	H	J	K	L
96233 (1)	5.06 (128)	0.75(19)	1.25 (32)	4.00 (102)	8.31 (211)	1/4 NPT	5.00 (127)	4.94 (125)	2.00 (50.8)	2.75 (70)	See H + L dimension for specific valve and actuator combination selected (from table above)
96234 (2)	5.06 (128)	0.75(19)	1.25 (32)	4.63 (118)	8.88 (226)	1/4 NPT	5.63 (143)	4.94 (125)	2.00 (50.8)	4.0 (102)	
96235 (3)	5.06 (128)	0.75(19)	1.25 (32)	4.63 (118)	8.88 (226)	1/4 NPT	5.63 (143)	4.94 (125)	2.00 (50.8)	4.0 (102)	

3 Position

Actuator Code No.	A	B	C	D	E	F	G	H	J	K	L
96243	5.06 (128)	3.25(83)	4.00 (102)	1.25 (32)	2.75 (70)	1/4 NPT	9.44 (240)	4.69 (119)	5.00 (122)	0.75 (19)	See H + L dimension for specific valve and actuator combination selected (from table above)
96244	5.63 (143)	3.88(99)	4.63 (118)	1.25 (32)	4.00 (102)	1/4 NPT	10.50 (267)	5.63 (143)	5.56 (141)	0.63 (16)	
96245	5.63 (143)	3.88(99)	4.63 (118)	1.25 (32)	4.00 (102)	1/4 NPT	10.50 (267)	5.63 (143)	5.56 (141)	0.63 (16)	

Valve actuators can be ordered with or without hardware required to mount them to the valve.

Tables below give the part numbers for the actuators without hardware.

2-Position Actuators

Actuator w/ Hardware	Actuator Only	Actuator w/ Hardware	Actuator Only
96233-1	36214	96234-4	36217
96233-3		96234-1	
96233-4		96234-11	
96233-5		96235-1	
96233-6		96235-4	
96233-7			
96233-10			
96233-12			

3-Position Actuators

Actuator w/ Hardware	Actuator Only
96243-1	36216
96243-2	
96243-8	
96244-3	
96244-1	
96244-9	36215
96245-1	
96245-3	

Configuring Valve Part Number with Actuator **

Start Example	Complete Valve Number 3765M3WC3	-	Complete Actuator Number 96244-1
Modify Example	Complete Valve Number 3765M3WC3	-	Actuator Number without "96" 244-1
Final Number	3765M3WC3 - 244-1		

** This method is for all standard valves
Those with special options may not follow this pattern
Consult factory for more details

Valve Type	Manual Valve Series	Valve Port Size NPT	Actuator Number	Actuator Code on Dim. Table	H + L Dimension inches (mm)	Approx Ship Weight (assembly) lbs(kg)
4-Way (3-Position)	141/921	1/4	96243-12	1	7.88 (200)	14 (6.3)
	142	3/8	96243-1	1	8.75 (222)	17.5 (7.9)
	143/923	1/2	96243-1	1	8.75 (222)	17.5 (7.9)
	144	3/4	96244-1	2	10.13 (257)	34.5 (15.6)
	145/925	1	96244-1	2	10.13 (257)	34.5 (15.6)
	*147	1 1/2	96245-1	3	12.44 (316)	63.5 (28.8)
	201	1/4	96243-12	1	7.88 (200)	14 (6.3)
	203	1/2	96243-1	1	8.75 (222)	17.5 (7.9)
	205	1	96244-1	2	10.13 (257)	34.5 (15.6)
	*3763	1/2	96243-1	1	8.81 (224)	19 (8.6)
	3765	1	96244-1	2	11.19 (284)	37 (16.8)
	*3767	1 1/2	96245-1	3	12.19 (310)	67 (30.4)
	4141	1/4	96243-8	1	10.13 (257)	23 (10.4)
	4143	1/2	96243-8	1	10.13 (257)	23 (10.4)
	4145	1	96244-9	2	13.41(341)	43 (19.5)
	6144	3/4	96243-2	1	9.44 (240)	18 (8.2)
	6145	1	96244-3	2	12.43 (316)	19.5 (8.8)
	6147	1 1/2	96245-3	3	12.13 (308)	35 (15.9)
	6904	3/4	96243-2	1	9.44 (240)	18 (8.2)
	9047	1 1/2	96245-3	3	12.13 (308)	36 (16.3)

* Maximum operating pressure 2000 psi

Valve Type	Manual Valve Series	Valve Port Size NPT	Actuator Number	Actuator Code on Dim. Table	H + L Dimension inches (mm)	Approx Ship Weight (assembly) lbs(kg)
4-Way and 3-Way (2-Position)	141	1/4	96233-12	1	7.9 (200)	16.5 (7.5)
	142	3/8	96233-1	1	9.19 (325)	20.8 (9.4)
	143	1/2	96233-1	1	9.19 (325)	20.8 (9.4)
	144	3/4	96234-1	2	10.25 (363)	30.8 (14)
	145	1	96234-1	2	10.25 (363)	30.8 (14)
	*147	1 1/2	96235-1	3	11.25 (286)	63.8 (28.9)
	201	1/4	96233-12	1	7.9 (201)	16.5 (7.5)
	203	1/2	96233-1	1	9.19 (325)	20.8 (9.4)
	205	1	96234-1	2	10.25 (363)	36.3 (16.4)
	3763	1/2	96233-1	1	8.94 (316)	18 (8.1)
	3765	1	96234-1	2	10.25 (363)	32.5 (14.7)
	*3767	1 1/2	96235-1	3	11.31 (287)	63.8 (28.9)
	4141	1/4	96233-10	1	10.19 (259)	25.8 (11.7)
	4143	1/2	96233-10	1	10.19 (259)	25.8 (11.7)
	4145	1	96234-11	2	11.75 (416)	39.3 (17.8)
	6143	1/2	96233-3	1	9.19 (233)	15.3 (6.9)
	6144	3/4	96233-3	1	9.44 (240)	15.3 (6.9)
	6145	1	96234-4	2	10.13 (257)	23.8 (10.8)
	6147	1 1/2	96235-4	3	11.6 (411)	37.8 (17.1)
	6183	1/2	96233-3	1	9.19 (233)	15.3 (6.9)
6184	3/4	96233-3	1	10.66 (377)	15.3 (6.9)	
6903	1/2	96233-3	1	9.19 (233)	18 (8.1)	
9047	1 1/2	96235-4	3	11.34 (401)	36 (16.3)	