

Sealed Piston Switch

Series 9675, A9675

Features

- ▶ Double make double break capability
- ▶ Extremely long life
- ▶ Calibrated dial for easy setpoint adjustment
- ▶ Tamper-proof external adjustment
- ▶ Oil & dust tight
- ▶ Easy setpoint adjustment

Applications

- ▶ Hydraulic applications
- ▶ Machine tools
- ▶ Compressors
- ▶ Mining
- ▶ Specialty vehicles
- ▶ Lubrication equipment
- ▶ Metal working

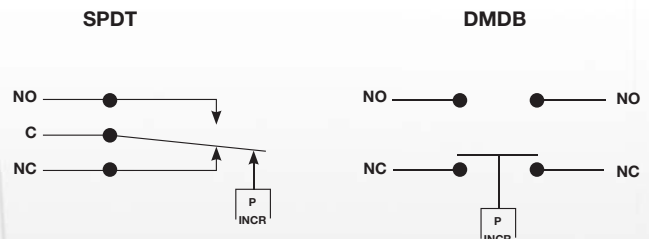


General Specifications*

Accuracy:	± 2% of the adjustable range
Switch: Type:	Single pole double throw (SPDT) or double make double break (DMDB) snap action; single circuit
Rating:	9675: (one SPDT) 10 amps @ 125, 250, or 480 VAC; 7.5 amps @ 600 VAC; 0.03 amps at 250 VDC A9675: (one DMDB) 15 amps @ 125, 250, or 480 VAC; 7.5 amps @ 600 VAC; 0.03 amps at 250 VDC
Wetted Parts: Process Fitting:	416 stainless steel
O-ring:	Buna-N with Teflon® backup ring
Piston:	416 stainless steel
Enclosure:	Anodized aluminum
Electrical Connection:	Through 1/2" NPT conduit connection to screw terminals
Enclosure Ratings:	NEMA 13
Pressure Connection:	1/4" NPT female
Approvals: PED (European) :	Compliant to PED 97/23/EC
Temperature Range: Operating:	-20° to +165°F (-29° to +74°C)
Storage:	-40° to +200°F (-40° to +93°C)

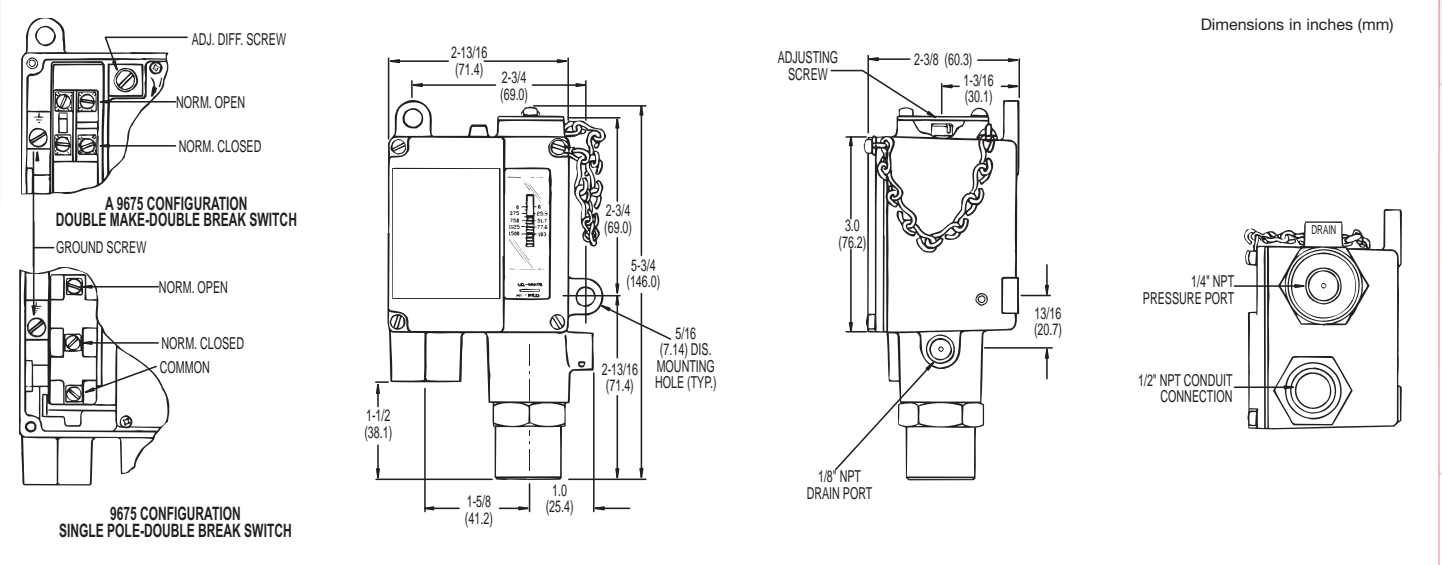
Adjustment Instructions: Setpoint:	Loosen adjustment screw cover and open. Using a 5/16" allen wrench, turn adjustment screw clockwise to increase setpoint, counterclockwise to decrease setpoint. The setpoint indicator (located inside enclosure) provides a visual indication of the approximate setpoint. Optional adjustable differential models remove front cover and locate adjustment screw (identified) using screwdrivers, rotate screw clockwise to increase differential.
Wiring Code: SPDT:	Normally Open (NO), Normally Closed (NC), and Common (C) terminals are identified on the limit switches
DMDB:	Two normally open (NO) and two normally closed.
Options:	-Factory pre-set -Cleaned for oxygen service -Adjustable deadband -Drain port, 1/8" NPT
Shipping Weight:	1.75 lbs. approximate

Wiring Diagram



* See Order Number Key for additional options.

Technical Drawing



Order Number Key / Options

Example	D	9675	-2	-V
---------	---	------	----	----

D Drain port 1/8" NPT

Base Model

9675	Base part number (with SPDT limit switch)
A9675	Base part number (with DMDB limit switch)

Pressure Range

For base model: 9675

	Adjustable Range				Approx. Deadband (Actuation Value) psi-(bar)	Proof Pressure psi (bar)
	Decreasing - psi (bar)		Increasing - psi (bar)			
	Min	Max	Min	Max		
-0	20 (1.4)	180 (12.2)	25 (1.7)	200 (13.6)	5 - 20 (.3 - 1.4)	3000 (204)
-1	75 (5.1)	505 (34.3)	85 (5.8)	540 (36.7)	10 - 35 (.7 - 2.4)	3000 (204)
-2	100 (6.8)	1400 (95.2)	130 (8.8)	1500 (102)	30 - 100 (2.0 - 6.8)	7000 (483)
-3	235 (16.0)	3200 (218)	295 (20.0)	3400 (231)	60 - 300 (4.1 - 20.6)	7000 (483)
-4	425 (28.9)	5640 (384)	545 (37.0)	6000 (408)	120 - 360 (8.2 - 24.4)	12000 (816)

For base model: A9675

	Adjustable Range				Approx. Deadband (Actuation Value) psi-(bar)	Proof Pressure psi (bar)
	Decreasing - psi (bar)		Increasing - psi (bar)			
	Min	Max	Min	Max		
-0	20 (1.4)	170 (11.6)	30 (2)	200 (13.6)	10 - 30 (.7 - 2.0)	3000 (204)
-1	75 (5.1)	495 (33.7)	95 (6.5)	540 (36.7)	20 - 45 (1.4 - 3.1)	3000 (204)
-2	100 (6.8)	1370 (93)	140 (9.5)	1500 (102)	40 - 130 (2.7 - 8.8)	7000 (483)
-3	235 (16.0)	3075 (209)	365 (24.8)	3400 (231)	130 - 325 (8.8 - 22.1)	7000 (483)
-4	425 (28.9)	5500 (374)	600 (40.8)	6000 (408)	175 - 500 (11.9 - 34.0)	12000 (816)

Options

-E	EPR O-ring
-N	Neoprene O-ring
-V	Viton® O-ring
-Z1	Cleaned for oxygen service
Sxxx	Factory pre-set (consult factory)

Deadband

Blank	Standard
AA ¹	Adjustable deadband (only available with A9675 model)

NOTES:
¹ Consult Supplementary Guide for specific deadband value